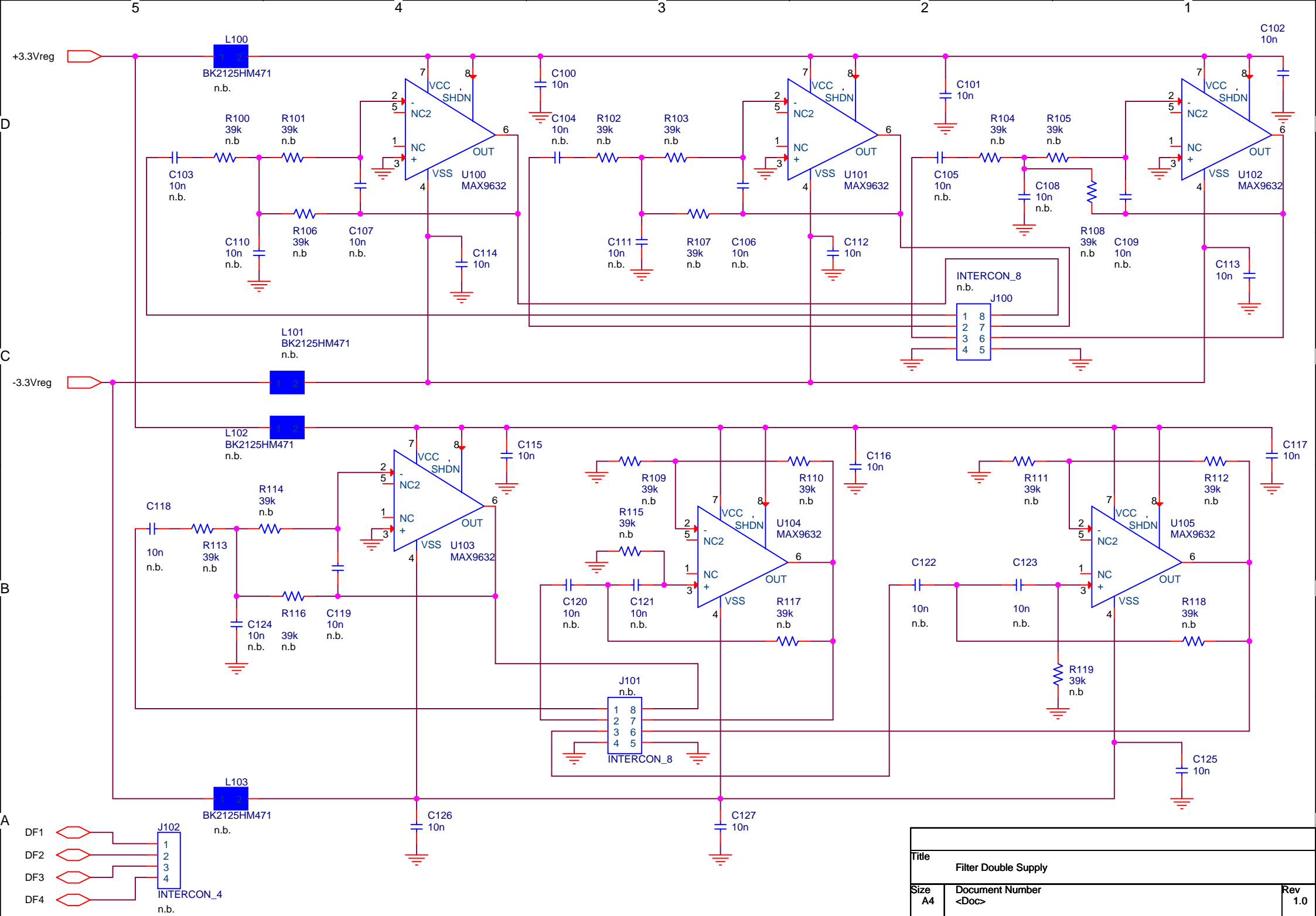
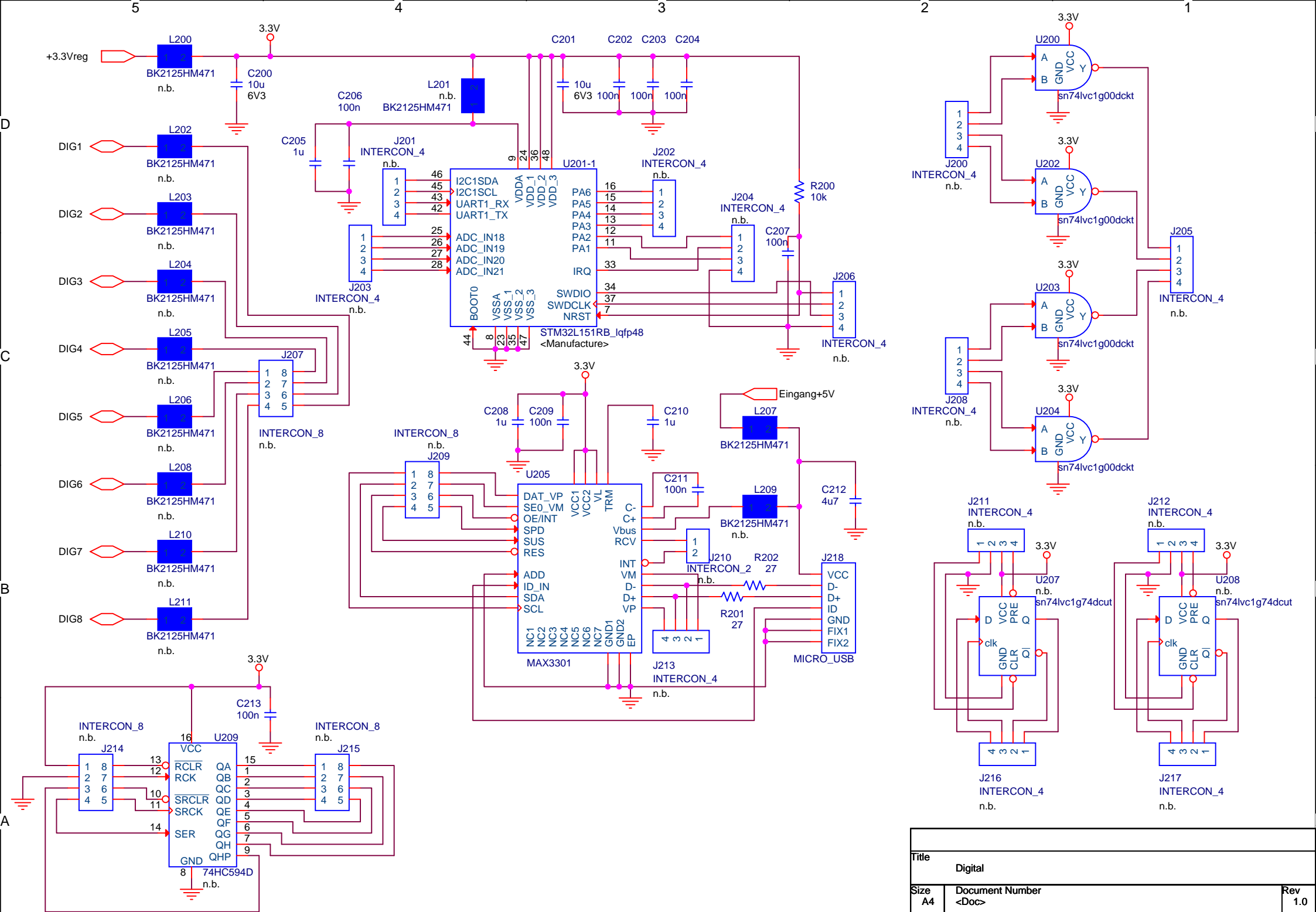


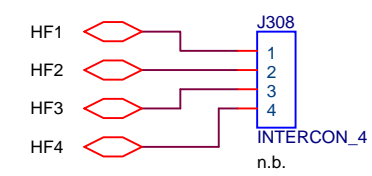
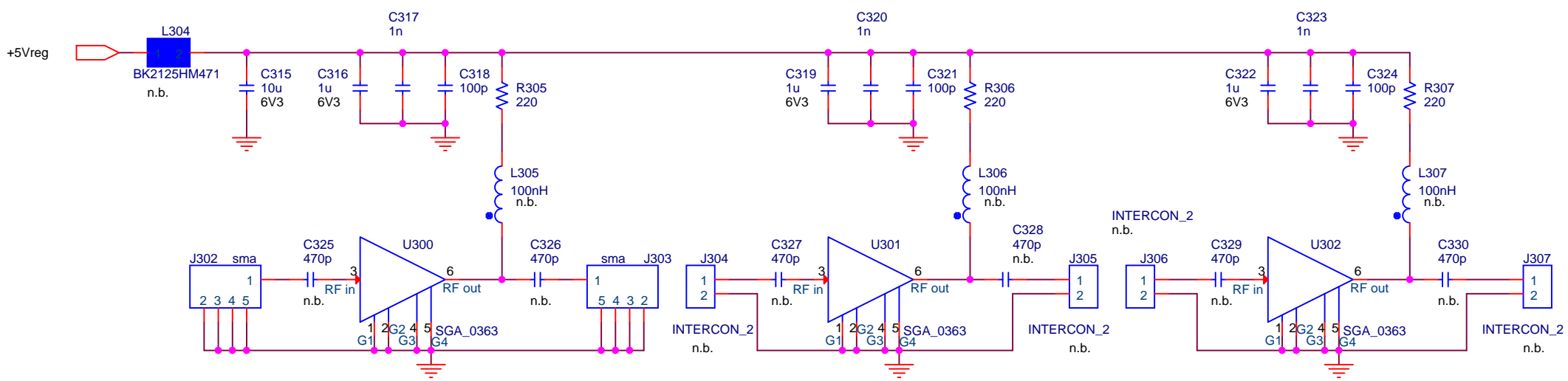
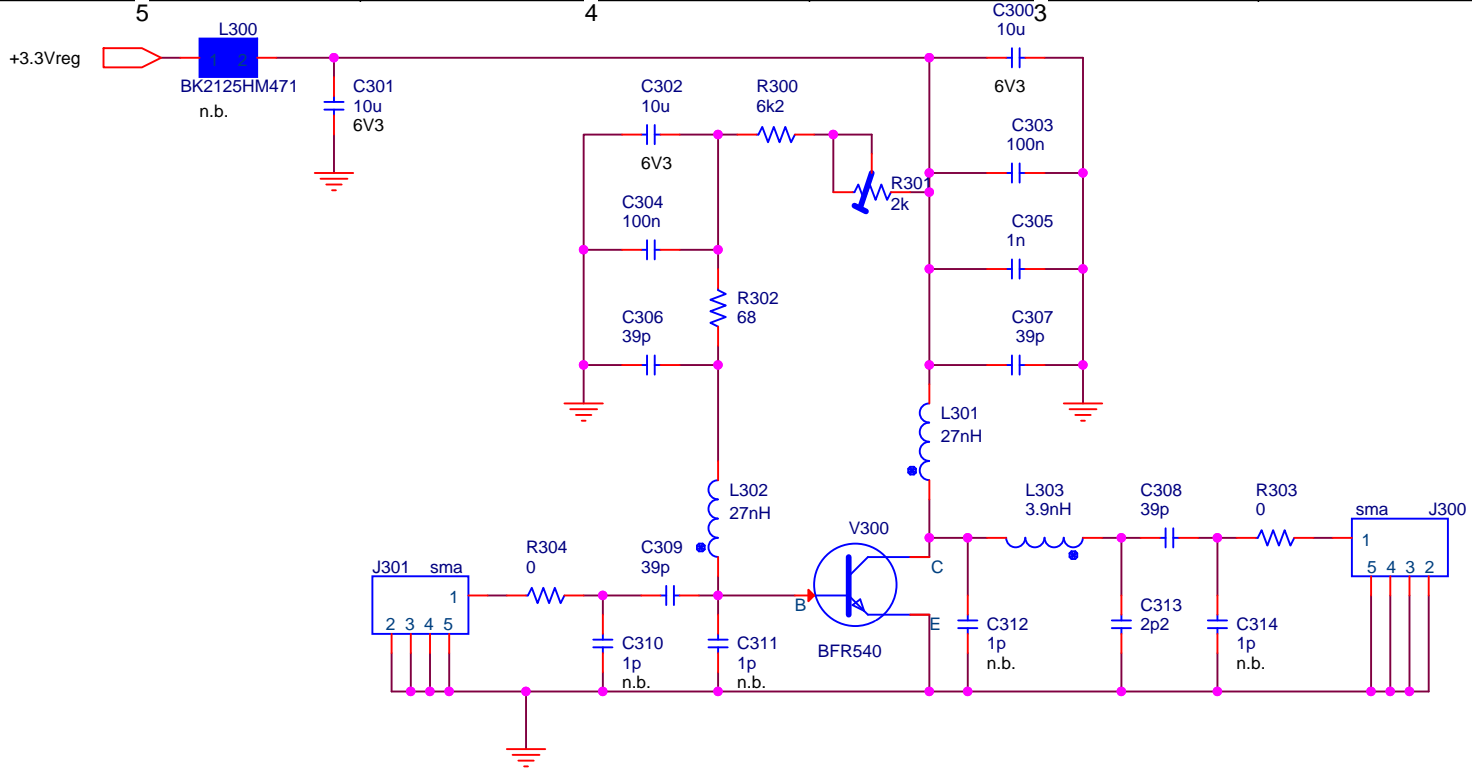
Title		
Laborkarte		
Size	Document Number	Rev
A4	<Doc>	1.0
Date:	Tuesday, August 25, 2015	Sheet 1 of 10



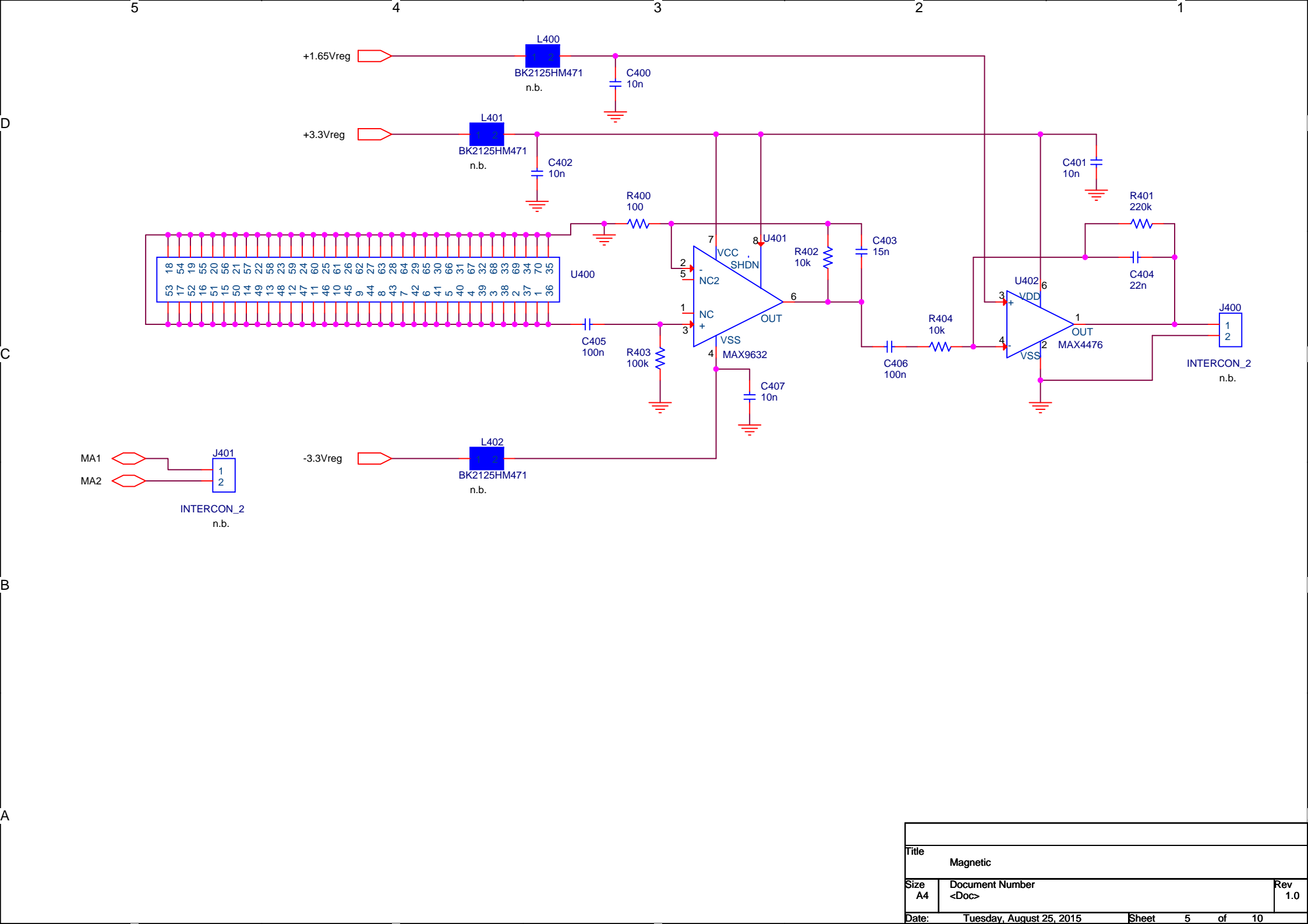
Title		
Filter Double Supply		
Size	Document Number	Rev
A4	<Doc>	1.0
Date:	Tuesday, August 25, 2015	Sheet 2 of 10



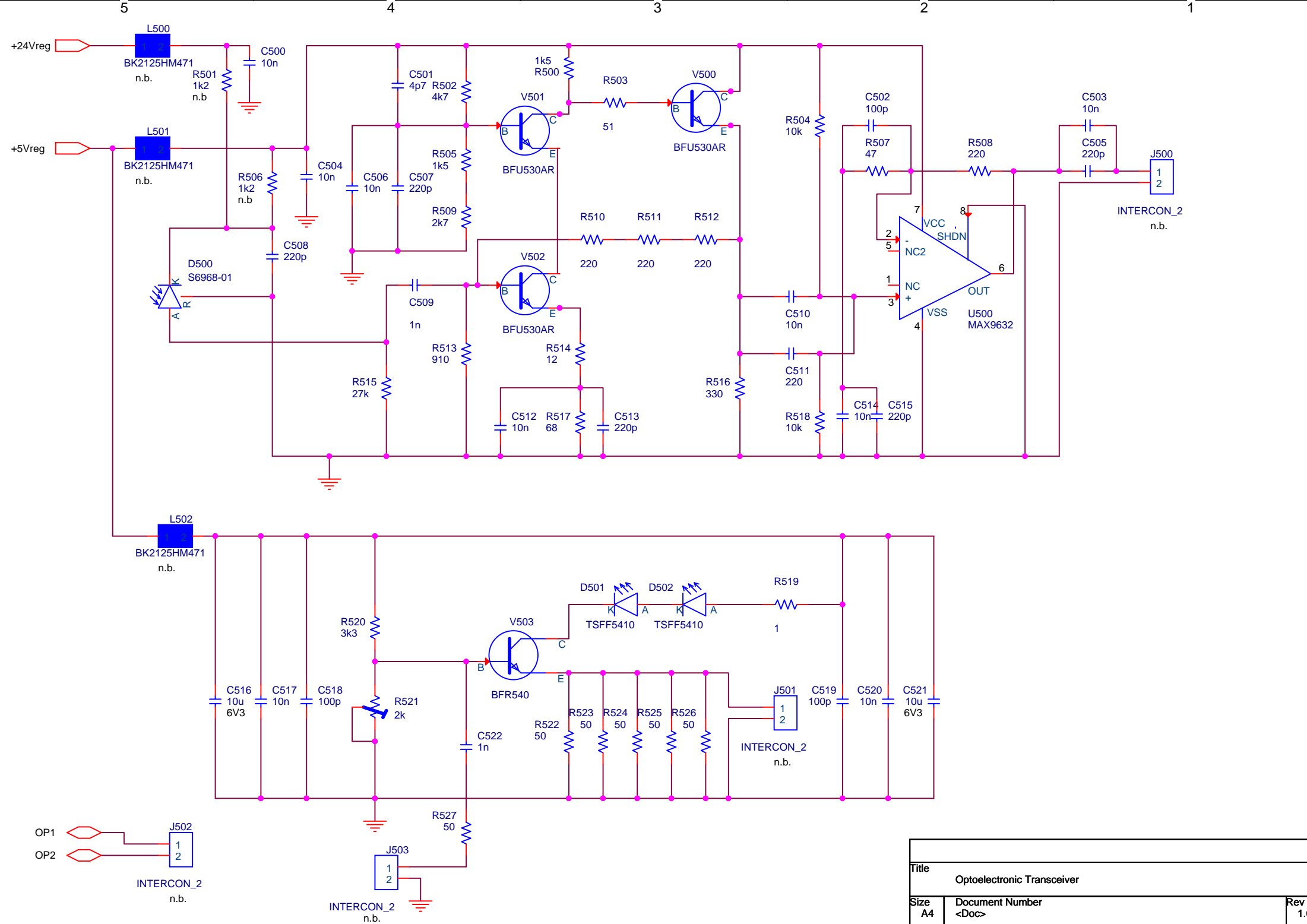
Title		
Digital		
Size	Document Number	Rev
A4	<Doc>	1.0
Date:	Tuesday, August 25, 2015	Sheet 3 of 10



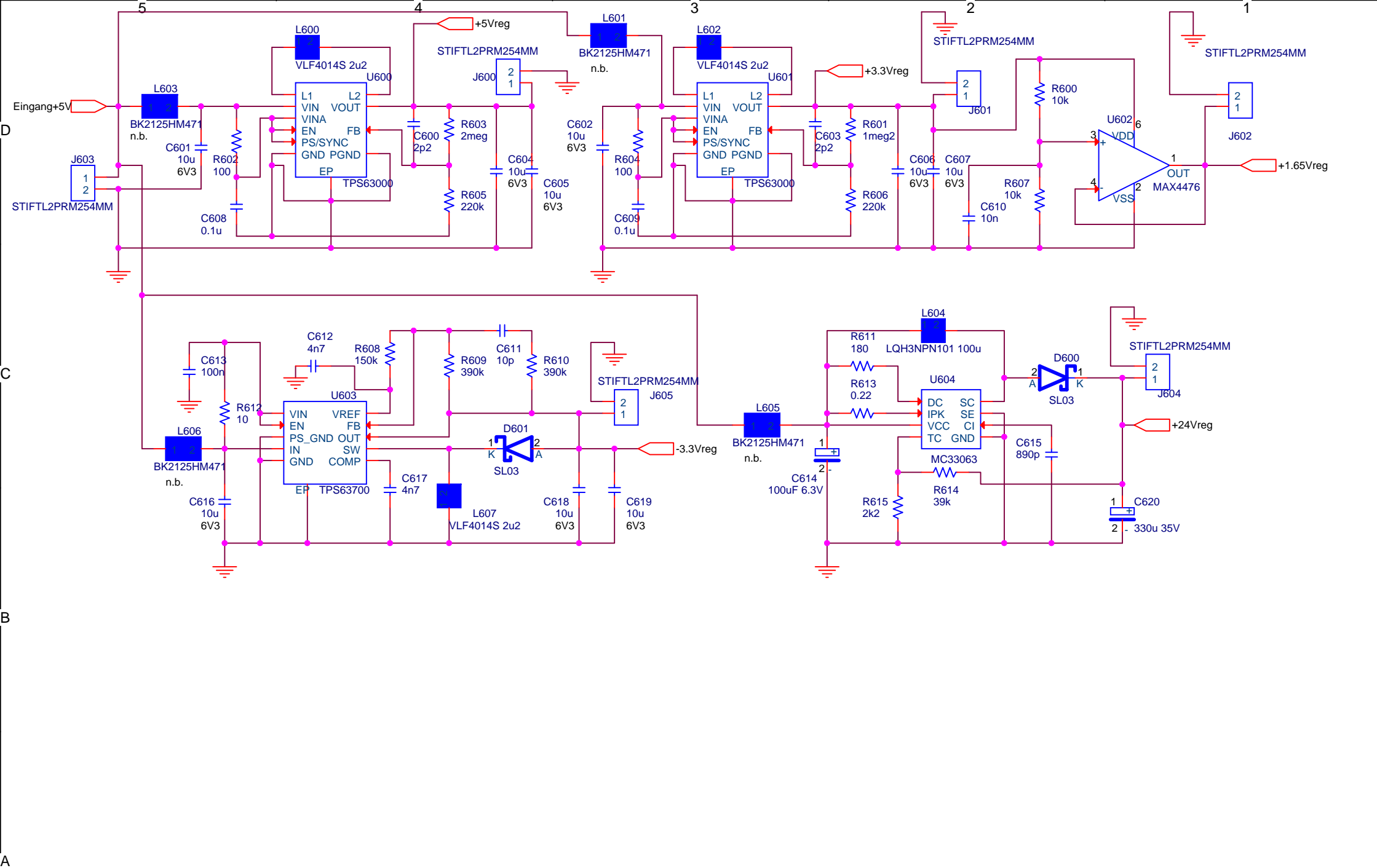
Title		
HF Sende und Empfangsschaltug		
Size	Document Number	Rev
A4	<Doc>	1.0
Date:	Tuesday, August 25, 2015	Sheet 4 of 10



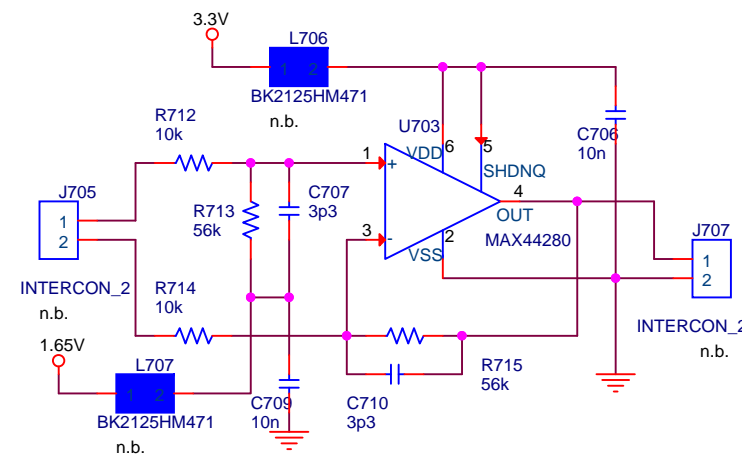
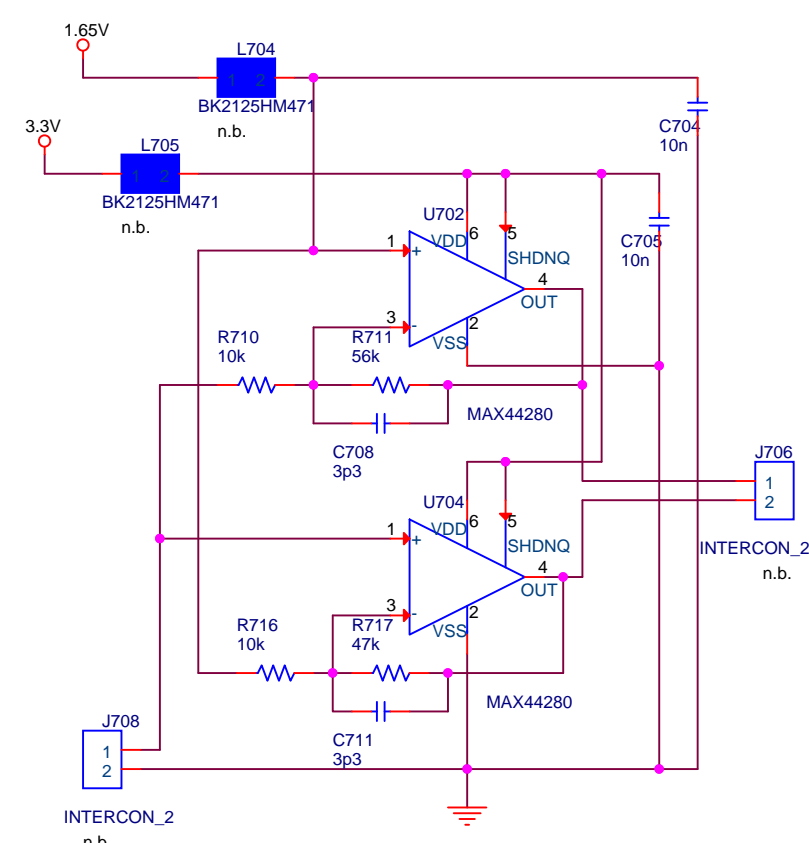
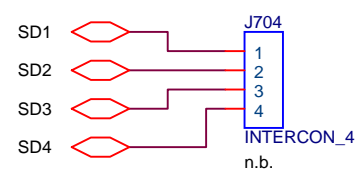
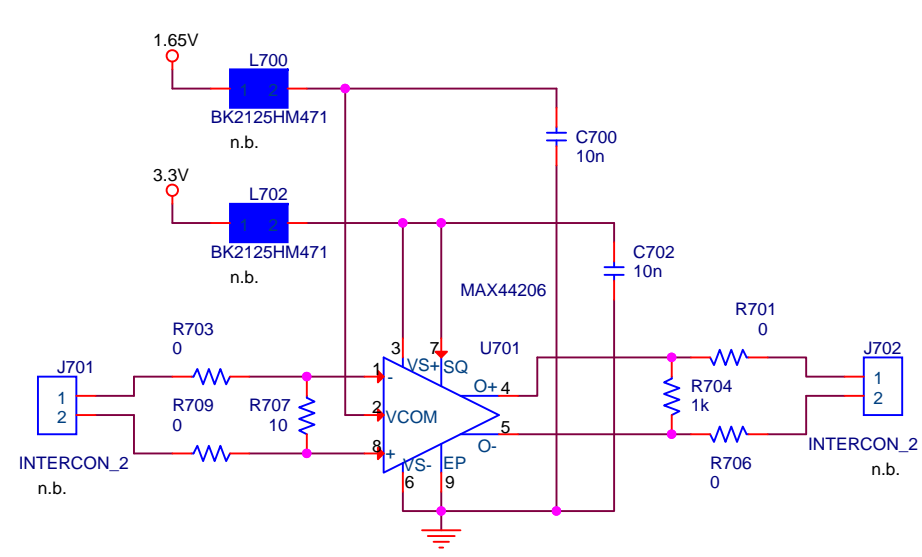
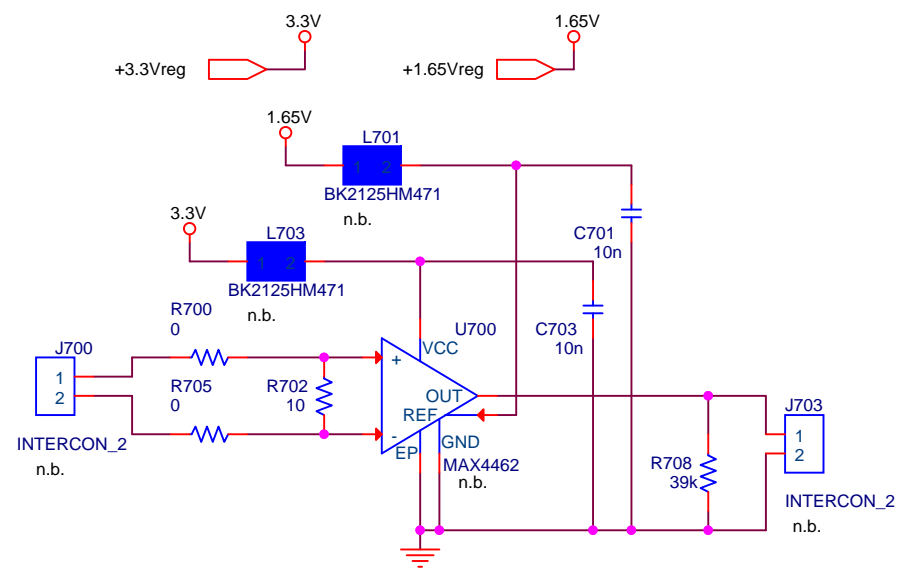
Title		
Magnetic		
Size	Document Number	Rev
A4	<Doc>	1.0
Date:	Tuesday, August 25, 2015	Sheet 5 of 10



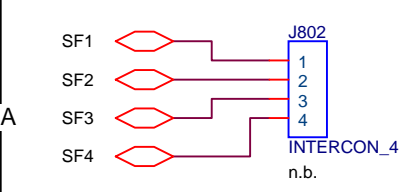
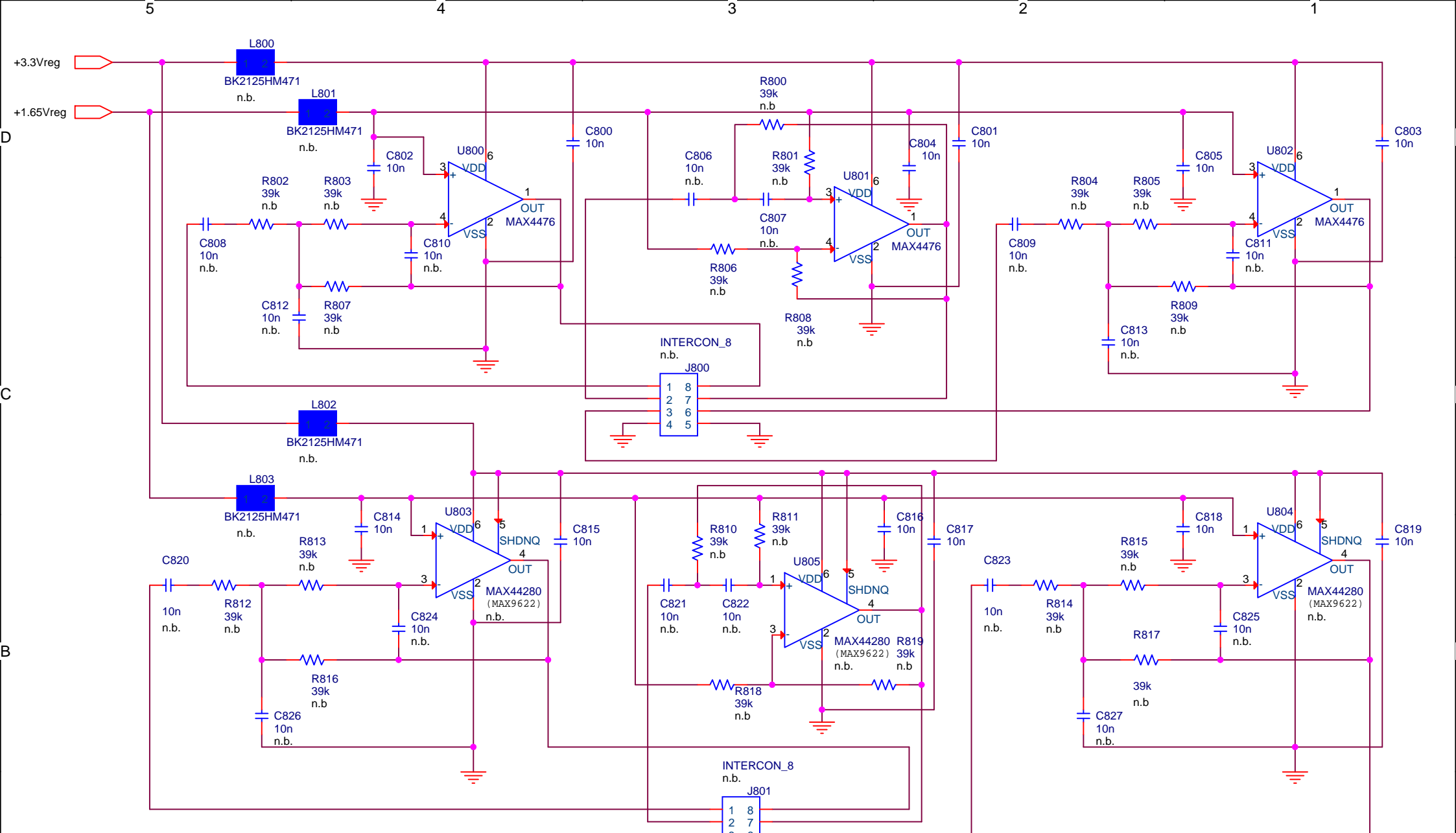
Title		
Optoelectronic Transceiver		
Size	Document Number	Rev
A4	<Doc>	1.0
Date:	Tuesday, August 25, 2015	Sheet 6 of 10



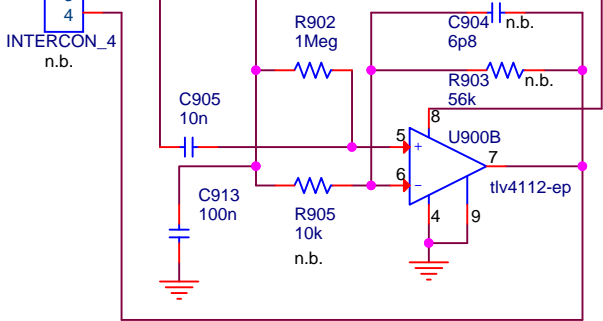
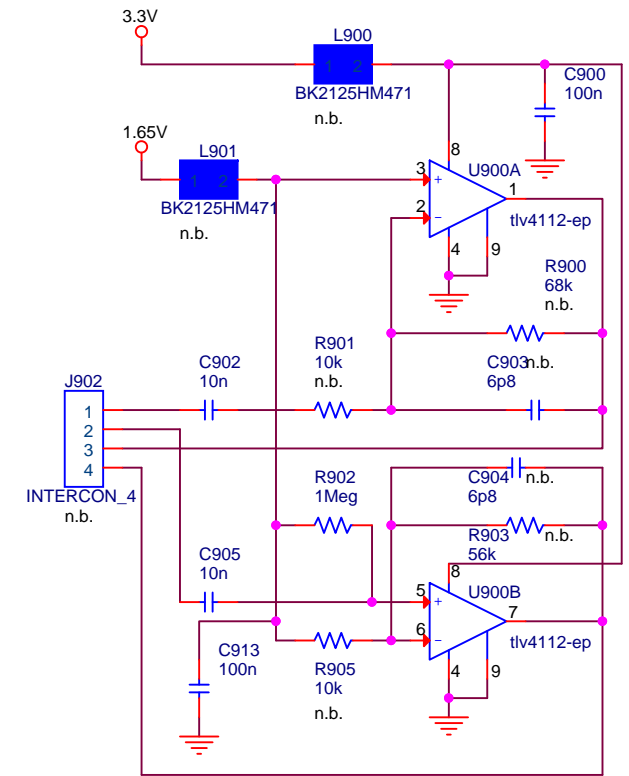
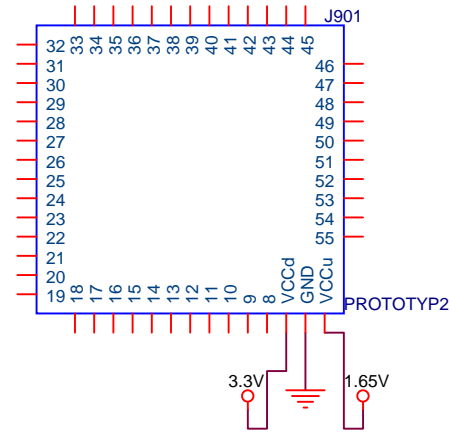
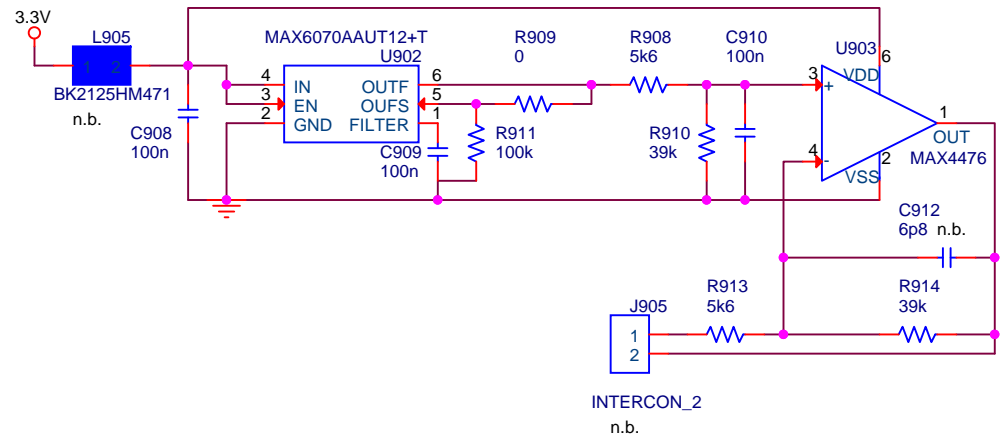
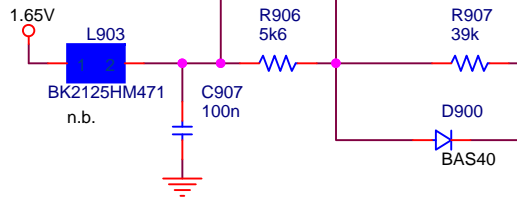
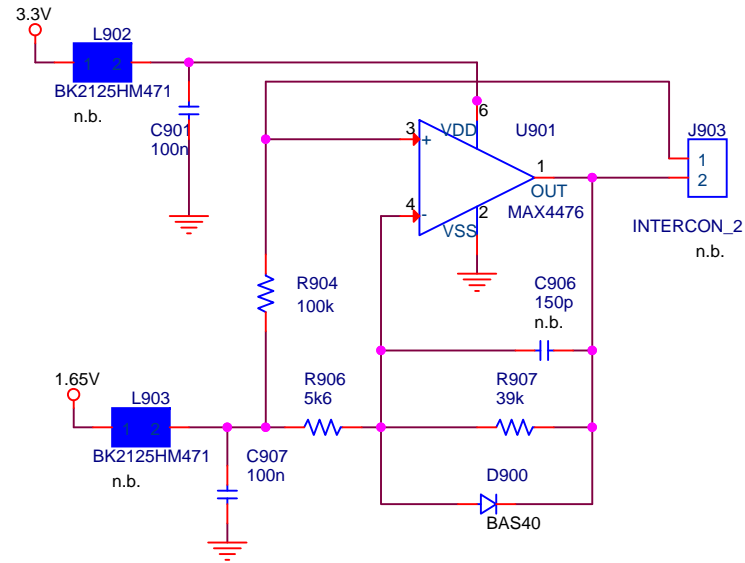
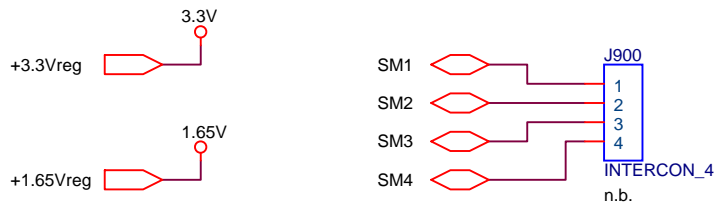
Title		
Spannungsversorgung		
Size	Document Number	Rev
A4	<Doc>	1.0
Date:	Tuesday, August 25, 2015	Sheet 7 of 10



Title		
Single Supply Differential		
Size	Document Number	Rev
A4	<Doc>	1.0
Date:	Tuesday, August 25, 2015	Sheet 8 of 10



Title		
Filter Single Supply		
Size	Document Number	Rev
A4	<Doc>	1.0
Date:	Tuesday, August 25, 2015	Sheet 9 of 10



Title		
SGL Misc		
Size	Document Number	Rev
A4	<Doc>	1.0
Date:	Tuesday, August 25, 2015	Sheet 10 of 10